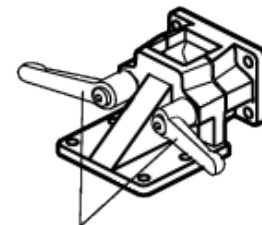
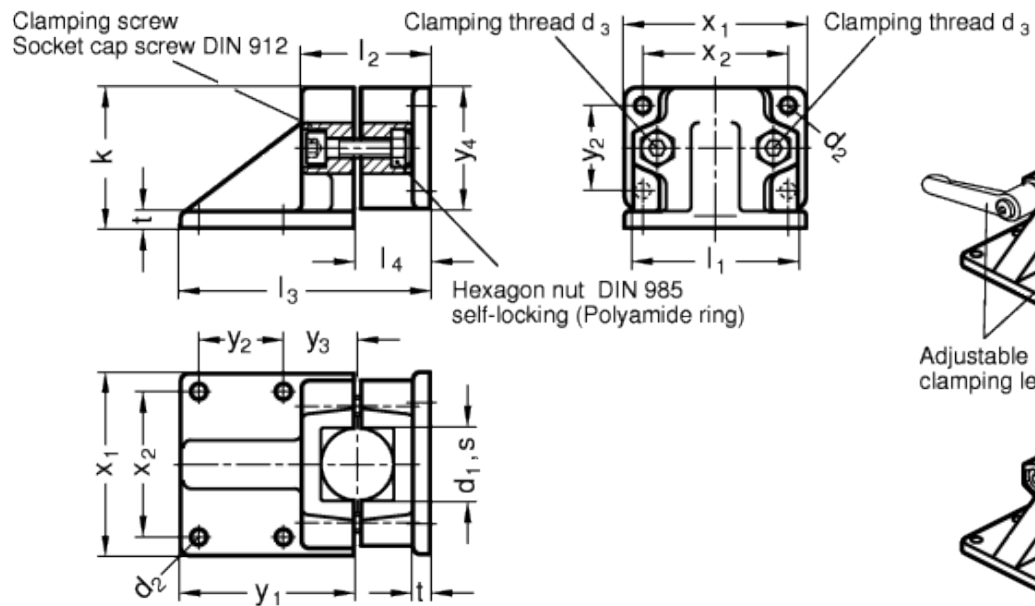
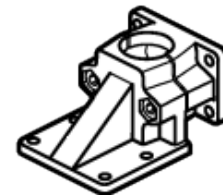


# GN 171

Side flanged bases with eccentric axis for connecting clamps



Adjustable  
clamping lever GN 911



## technical informations

**Material**  
Aluminium.

## Finish

- Version SW: RAL 9005 black colour, matte finish, epoxy resin coating.
- Version BL: blank, matte shot-blasted.

## Clamping screws

Identification no. 2: with two AISI 304 stainless steel-clamping screw DIN 912 and nuts DIN 985.

## Assembly

The standard clamping bolts are socket cap screws DIN 912, supplied assembled. They can be replaced by clamping kits GN 911 (description see table of dimensions).

## Features and applications

The clamping bores of the flanges base plate connector clamps GN 171 are not machined and specially designed for construction tubings GN 990 or DIN 2391, DIN 2395 and DIN 2462 respectively.

## Accessories

- Tubings [GN 990](#).
- Clamping kits [GN 911](#) (clamping handles GN 300.1 with distance bushing).

Standard Elements	Main dimensions																Clamping kits	Weight
	Description	d <sub>1</sub> hole	S <sub>square hole</sub>	d <sub>2</sub>	d <sub>3</sub>	k	l <sub>1</sub>	l <sub>2</sub>	l <sub>3</sub>	l <sub>4</sub>	t	x <sub>1</sub>	x <sub>2</sub>	y <sub>1</sub>	y <sub>2</sub>	y <sub>3</sub>		
GN 171-B20-2-*	B 20	-	7	M 8	58	69	53	103	30	7	75	60	72	35	30	50	GN 911-M8-45	344
GN 171-B25-2-*	B 25	-	7	M 8	58	69	53	103	30	7	75	60	72	35	30	50	GN 911-M8-45	337
GN 171-B30-2-*	B 30	-	7	M 8	58	69	53	103	30	7	75	60	72	35	30	50	GN 911-M8-45	330
GN 171-B40-2-*	B 40	-	11	M 10	91	98	82	156	47	14	115	90	108	50	45	76	GN 911-M10-70	1014
GN 171-B42-2-*	B 42	-	11	M 10	91	98	82	156	47	14	115	90	108	50	45	76	GN 911-M10-70	995
GN 171-B45-2-*	B 45	-	11	M 10	91	98	82	156	47	14	115	90	108	50	45	76	GN 911-M10-70	982
GN 171-B48-2-*	B 48	-	11	M 10	91	98	82	156	47	14	115	90	108	50	45	76	GN 911-M10-70	973
GN 171-B50-2-*	B 50	-	11	M 10	91	98	82	156	47	14	115	90	108	50	45	76	GN 911-M10-70	959
GN 171-V20-2-*	-	V 20	7	M 8	58	69	53	103	30	7	75	60	72	35	30	50	GN 911-M8-45	343
GN 171-V25-2-*	-	V 25	7	M 8	58	69	53	103	30	7	75	60	72	35	30	50	GN 911-M8-45	326
GN 171-V30-2-*	-	V 30	7	M 8	58	69	53	103	30	7	75	60	72	35	30	50	GN 911-M8-45	316
GN 171-V40-2-*	-	V 40	11	M 10	91	98	82	156	47	14	115	90	108	50	45	76	GN 911-M10-70	981
GN 171-V45-2-*	-	V 45	11	M 10	91	98	82	156	47	14	115	90	108	50	45	76	GN 911-M10-70	958
GN 171-V50-2-*	-	V 50	11	M 10	91	98	82	156	47	14	115	90	108	50	45	76	GN 911-M10-70	918

\* Complete the description of the standard item needed by adding the finish of the connector clamps: BL (blank) or SW (black).



STANDARD MACHINE ELEMENTS WORLDWIDE